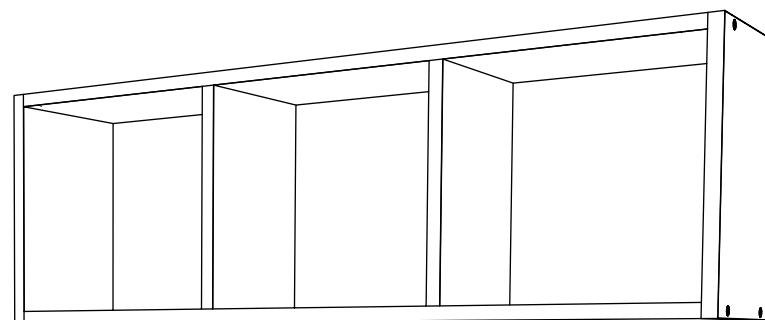
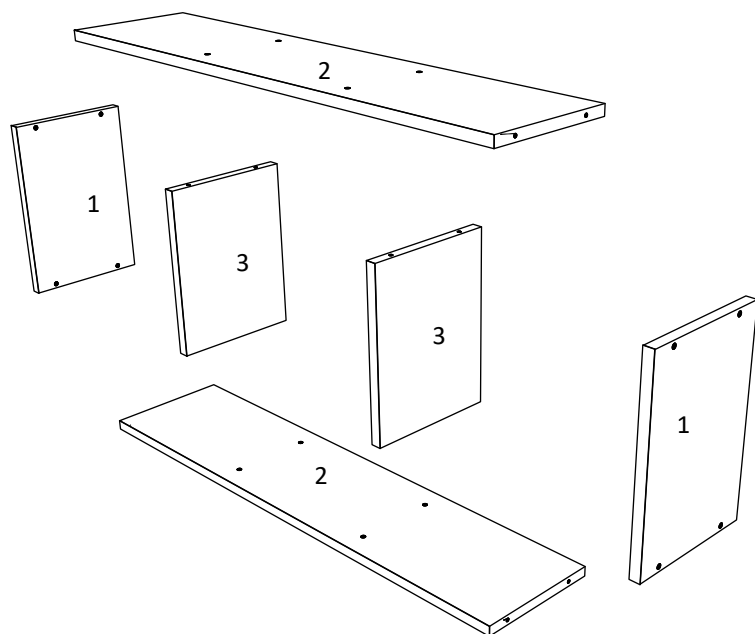
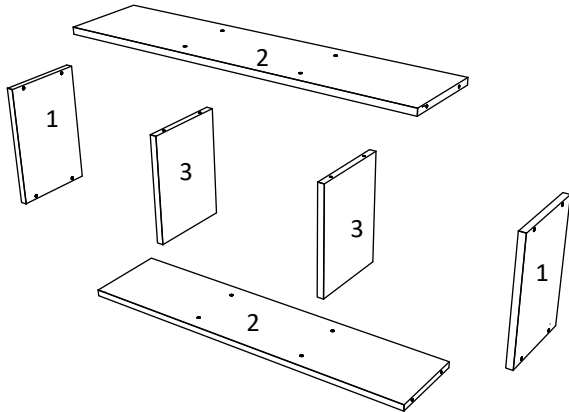
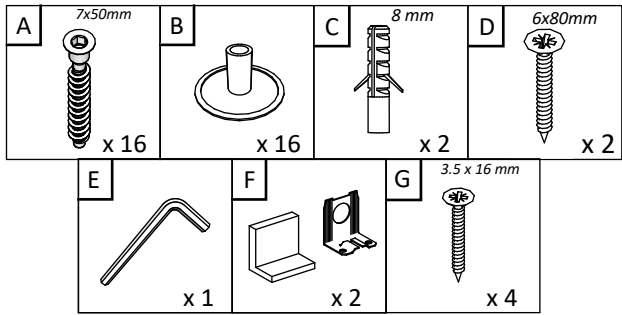
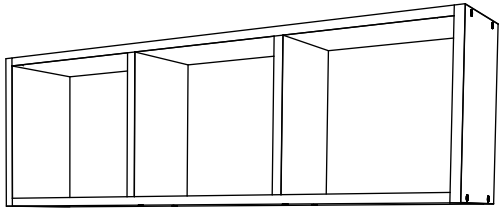


**EN** ASSEMBLY INSTRUCTIONS - **PETTEL SHELF, 3 BOXES - 900 x 200 x 300 MM**

**EN**

NUMBER	LENGTH	WIDTH	PCS	COLOUR
1	300	200	2	COLOUR
2	868	200	2	COLOUR
3	268	200	2	COLOUR





NUMBER	LENGTH	WIDTH	PCS	COLOUR
1	300	200	2	COLOUR
2	868	200	2	COLOUR
3	268	200	2	COLOUR

